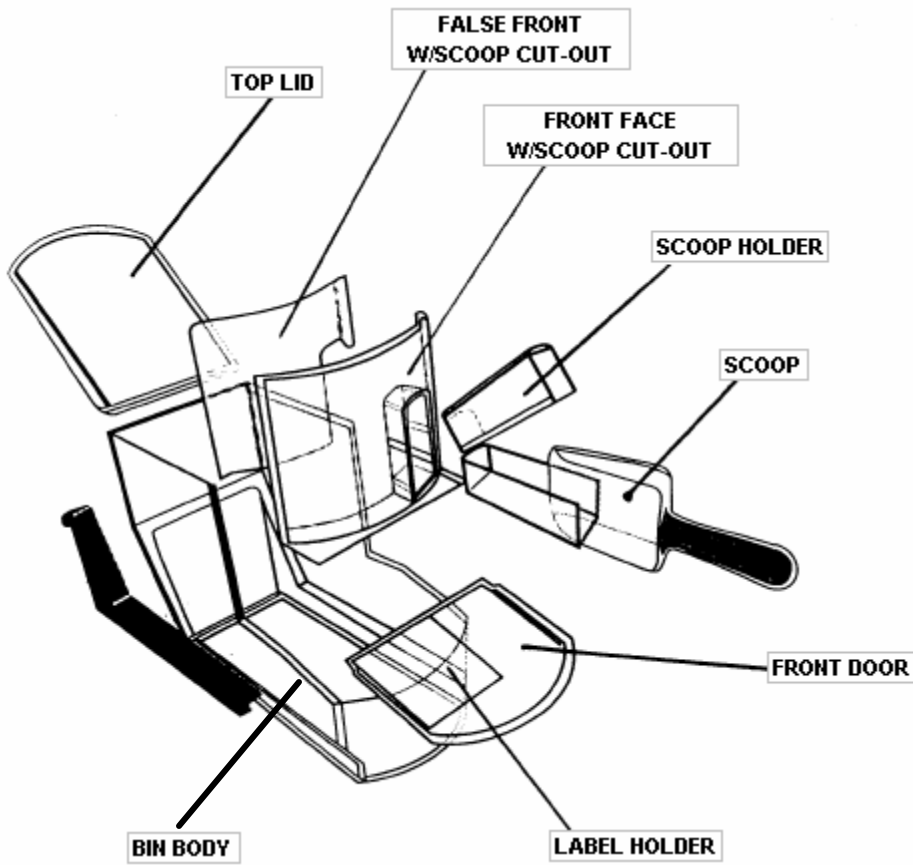


Trade Fixtures
Scoop Bin Components



Replacement Part Numbers for Trade Fixtures Radeus Scoop Bins

PART NAME	8" x 17"	12" x 17"	8" x 13"	12" x 13"
Complete bin assembly w/ scoop	08108	08308	08100	08300
Top lid, hinged (13" bins not hinged)	08137	08337	08130	08330
Front face w/scoop cut-out	08140	08340	08140	08340
False front w/ scoop cut-out	08145	08345	08145	08345
Scoop holder	08185	08185	08185	08185
Scoop, 10 oz.	08180	08180	08180	08180
Front lid	08120	08320	08120	08320
Label holder	08125	08125	08125	08125
Bin body only	08115	08315	08110	08310
Tether	08191	08191	08191	08191