

Newleaf Scoop Bin – Assembly of Bin and Scoop Holster

TO ASSEMBLE BIN

PARTS

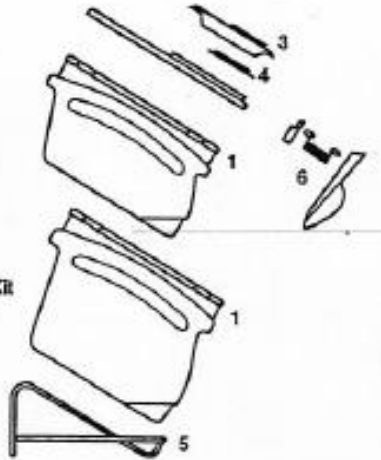
#1062 3 GAL

#1072 5 GAL

- 1) Clear polycarbonate bin
- 2) Clear polycarb. cover base
- 3) Clear polycarb. sliding cover
- 4) Snap-in label holder
- 5) Wire Stand, 2 clips

Available Separately:

- 6) #4200, #4250M 10 oz. Scoop Kit w/ tether, scoop holder
- 7) #4250T 10 oz. Tongs Kit w/ tether, holder



Firmly snap the clear cover base onto the bin with the opening hole to the front. Snap the label holder in the recess on the sliding cover. Snap the sliding cover onto the base with the handle facing the front.



For filling, the cover assembly comes off together, with the scoop attached. Just gently push in corners of the bin to release the latch areas.

Snap in the tether in the round holes from the **OUTSIDES** of the scoop holder and scoop. For assistance, use a small hammer to tap in the tether clips. Snap on the scoop holder onto the cover base by sliding it forward into its recess at an angle. Detach it by twisting it clockwise.

